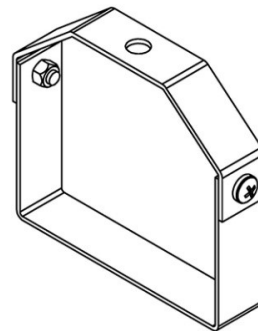
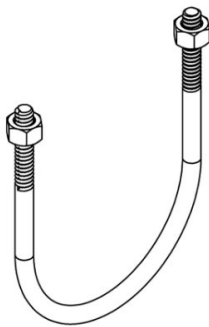
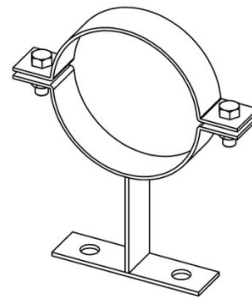
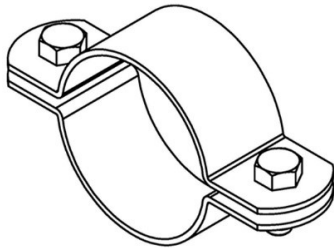
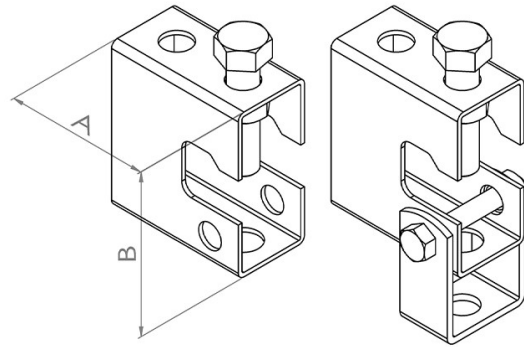
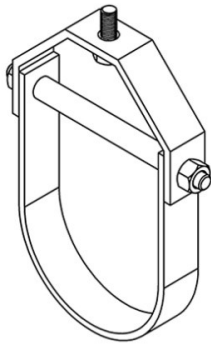


# PRICE LIST

## HANGERS & SUPPORTS



**ANN ENGINEERING SUPPLY & SURVICE CO.,LTD.**

153/40 Moo 6 Surasak Sriracha Chonburi 20110

Tel : 062 236 7744, 085 114 2560, 098 936 4491

Website : [annengineering.co.th](http://annengineering.co.th)

E-Mail : [annengineering2020@gmail.com](mailto:annengineering2020@gmail.com)

LINE ID : annengineering

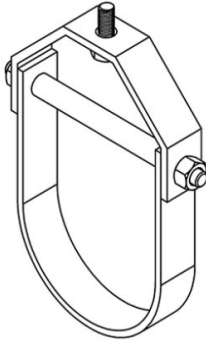


**STANDARD ADJUSTABLE CLEVIS HANGER**

ราคามีส่วนลด %

**MODEL : F9 SMT-CLE**

FOR : STEEL PIPE , PVC , PIPE



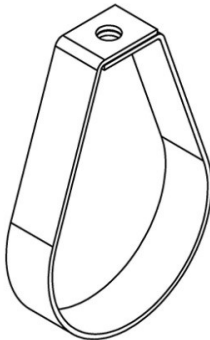
NOMINAL	PRICE	PRICE	PRICE	PACKING
PIPE SIZE		ELECTRO	HOT DIP	
(INCH)	PAINT	GALANIZED	GALANIZED	EA / PACK
1 1/2"	20	29	45	100
2"	25	33	50	100
2 1/2"	35	47	65	50
3"	45	62	85	50
4"	55	70	105	30
5"	75	120	155	15
6"	85	145	190	10
8"	105	220	295	5
10"	125	430	560	5
12"	145	470	620	5
OVER SIZE	โทรสอบถาม			

**ADJUSTABLE BAND HANGER**

ราคามีส่วนลด %

**MODEL : SMT-BH**

FOR : STEEL PIPE , PVC , PIPE



NOMINAL	PRICE	PRICE	PRICE	PACKING
PIPE SIZE		ELECTRO	HOT DIP	
(INCH)	PAINT	GALANIZED	GALANIZED	EA / PACK
3/4"	15	18	25	350
1"	16	19	26	200
1 1/4"	17	20	28	170
1 1/2"	18	21	30	140
2"	19	23	35	100
2 1/2"	22	26	45	60
3"	25	30	53	60
4"	28	33	65	50
5"	65	78	153	30
6"	75	87	165	20
8"	95	145	230	10
OVER SIZE	โทรสอบถาม			

**ANN ENGINEERING SUPPLY & SERVICE CO.,LTD.**

153/40 Moo 6 Surasak Sriracha Chonburi 20110

Tel : 062 236 7744, 085 114 2560, 098 936 4491

Website : annengineering.co.th

E-Mail : annengineering2020@gmail.com

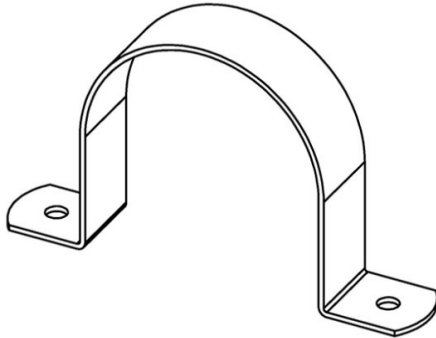
LINE ID : annengineering



## CLAMP. OHM

### MODEL : SMT-OHM

FOR : STEEL PIPE , PVC , PIPE



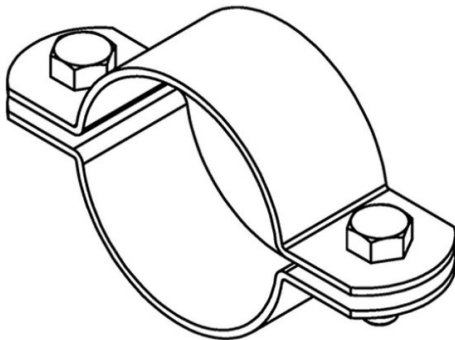
ราคานี้มีส่วนลด %

NOMINAL	PRICE	PRICE	PACKING
PIPE SIZE	ELECTRO	STAINLESS	
(INCH)	GALANIZED	SUS 304	EA / PACK
3/4"	12.5	38	350
1"	13	40	200
1 1/4"	13.5	45	170
1 1/2"	14	50	140
2"	15	55	100
2 1/2"	17	68	60
3"	20	75	60
4"	25	90	50
5"	50	200	15
6"	65	250	10
OVER SIZE	โทรสอบถาม		

## RISER CLAMP

### MODEL : SMT-RC1

FOR : STEEL PIPE , PVC , PIPE



ราคานี้มีส่วนลด %

NOMINAL	PRICE	PRICE	PACKING
PIPE SIZE	ELECTRO	STAINLESS	
(INCH)	GALANIZED	SUS 304	EA / PACK
3/4"	16	96	350
1"	17	102	200
1 1/4"	19	114	170
1 1/2"	20	120	140
2"	25	150	100
2 1/2"	28	168	60
3"	30	180	60
4"	35	210	50
5"	72	-	30
6"	80	-	20
8"	100	-	-
OVER SIZE	โทรสอบถาม		



### ANN ENGINEERING SUPPLY & SURVICE CO.,LTD.

153/40 Moo 6 Surasak Sriracha Chonburi 20110

Tel : 062 236 7744, 085 114 2560, 098 936 4491

Website : annengineering.co.th

E-Mail : annengineering2020@gmail.com

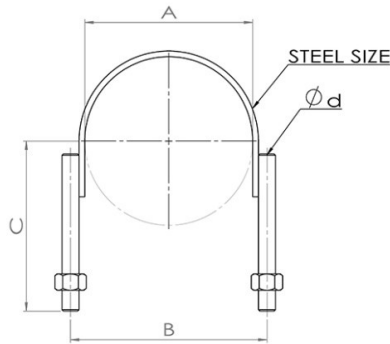
LINE ID : annengineering



## STRAP U-BOLT

**MODEL : SMT-UB**

FOR : STEEL PIPE , PVC , PIPE



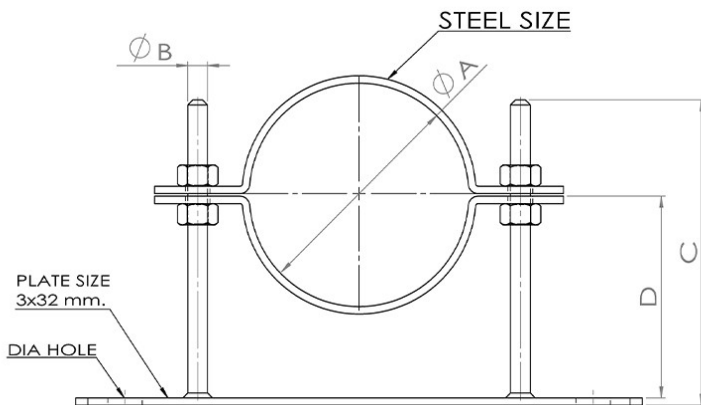
ราคานี้มีส่วนลด %

NOMINAL	PRICE	PRICE	PRICE	PACKING
PIPE SIZE		ELECTRO	HOT DIP	
(INCH)	PAINT	GALANIZED	GALANIZED	EA / PACK
1"	23	45	50	100
1 1/4"	25	50	55	100
1 1/2"	27	55	65	100
2"	42	65	85	100
2 1/2"	72	75	90	80
3"	77	80	105	50
4"	107	110	145	50
5"	147	125	195	30
6"	162	175	255	25
8"	177	230	345	25
10"	197	350	540	10
12"	207	380	640	10
OVER SIZE	โทรสอบถาม			

## ADJUSTABLE LEVEL CLAMP

**MODEL : SMT-LC**

FOR : STEEL PIPE , PVC , PIPE



ราคานี้มีส่วนลด %

NOMINAL	PRICE		PACKING
	ELECTRO GALANIZED		
PIPE SIZE	120 L	150 L	
(INCH)			EA / PACK
3/4"	41	43	80
1"	42	44	80
1 1/4"	43	45	50
1 1/2"	44	46	50
2"	45	47	40
2 1/2"	48	50	40
3"	52	55	30
4"	57	59	20
5"	-	125	10
6"	-	135	10
8"	-	-	10
OVER SIZE	โทรสอบถาม		



**ANN ENGINEERING SUPPLY & SURVICE CO.,LTD.**

153/40 Moo 6 Surasak Sriracha Chonburi 20110

Tel : 062 236 7744, 085 114 2560, 098 936 4491

Website : annengineering.co.th

E-Mail : annengineering2020@gmail.com

LINE ID : annengineering



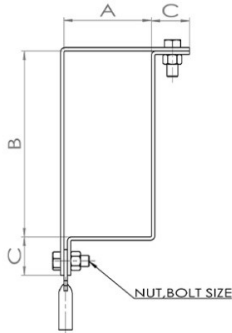
## RECTANGULAR STEEL CLAMP SUPPORT

ราคานี้มีส่วนลด %

### MODEL : SMT-FRC-1

FOR : CHANEL , RECTANGULAR RUBE

LOADING : LIGTH DUTY LOAD



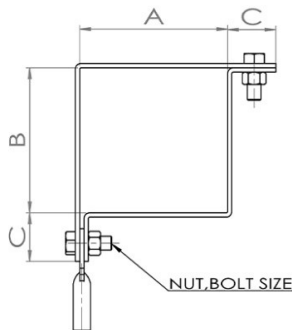
NOMINAL SIZE (mm.)	PRICE PAINT	PRICE	PRICE	PACKING EA / PACK
		ELECTRO GALANIZED	HOT DIP GALANIZED	
50x25	46	50	100	100
75x40	51	55	110	100
100x50	56	60	120	50
125x65	61	65	130	50
150x75	66	70	140	50
180x75	71	75	150	25
200x80	76	80	160	25
250x90	81	85	170	25
300x90	86	90	180	25
OVER SIZE	โทรสอบถาม			

## RECTANGULAR STEEL CLAMP SUPPORT

### MODEL : SMT-FSC-1

FOR : H-BEAM , SQUARE TUBE

LOADING : LIGTH DUTY LOAD



ราคานี้มีส่วนลด %

NOMINAL SIZE (mm.)	PRICE PAINT	PRICE	PRICE	PACKING EA / PACK
		ELECTRO GALANIZED	HOT DIP GALANIZED	
25x25	41	45	90	100
40x40	46	50	100	100
50x50	51	55	110	100
75x75	56	60	120	50
100x100	61	65	130	50
125x125	66	70	140	50
150x150	71	75	150	25
180x180	76	80	160	25
200x200	81	85	170	25
250x250	86	90	180	25
OVER SIZE	โทรสอบถาม			



### ANN ENGINEERING SUPPLY & SURVICE CO.,LTD.

153/40 Moo 6 Surasak Sriracha Chonburi 20110

Tel : 062 236 7744, 085 114 2560, 098 936 4491

Website : annengineering.co.th

E-Mail : annengineering2020@gmail.com

LINE ID : annengineering

